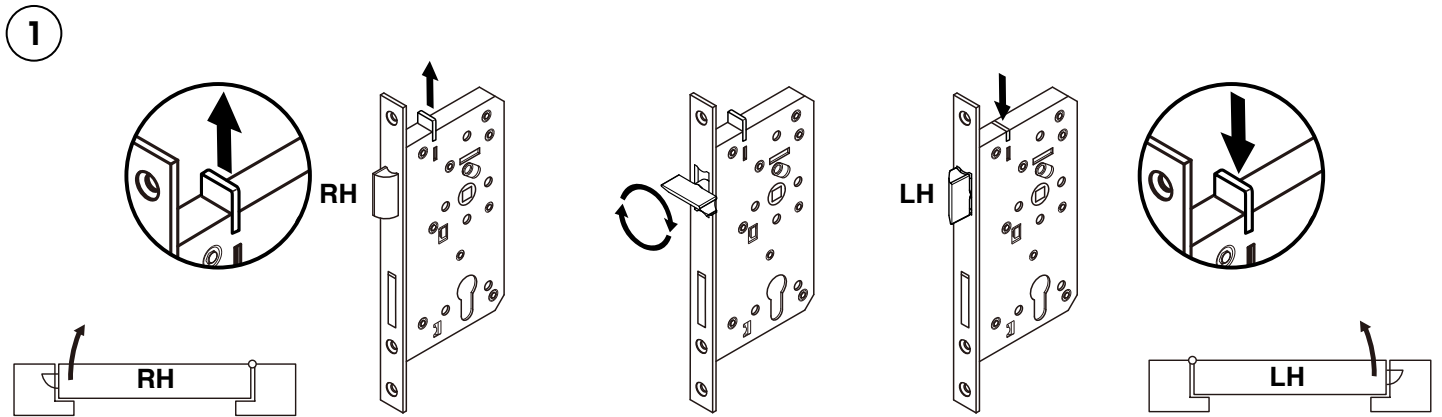


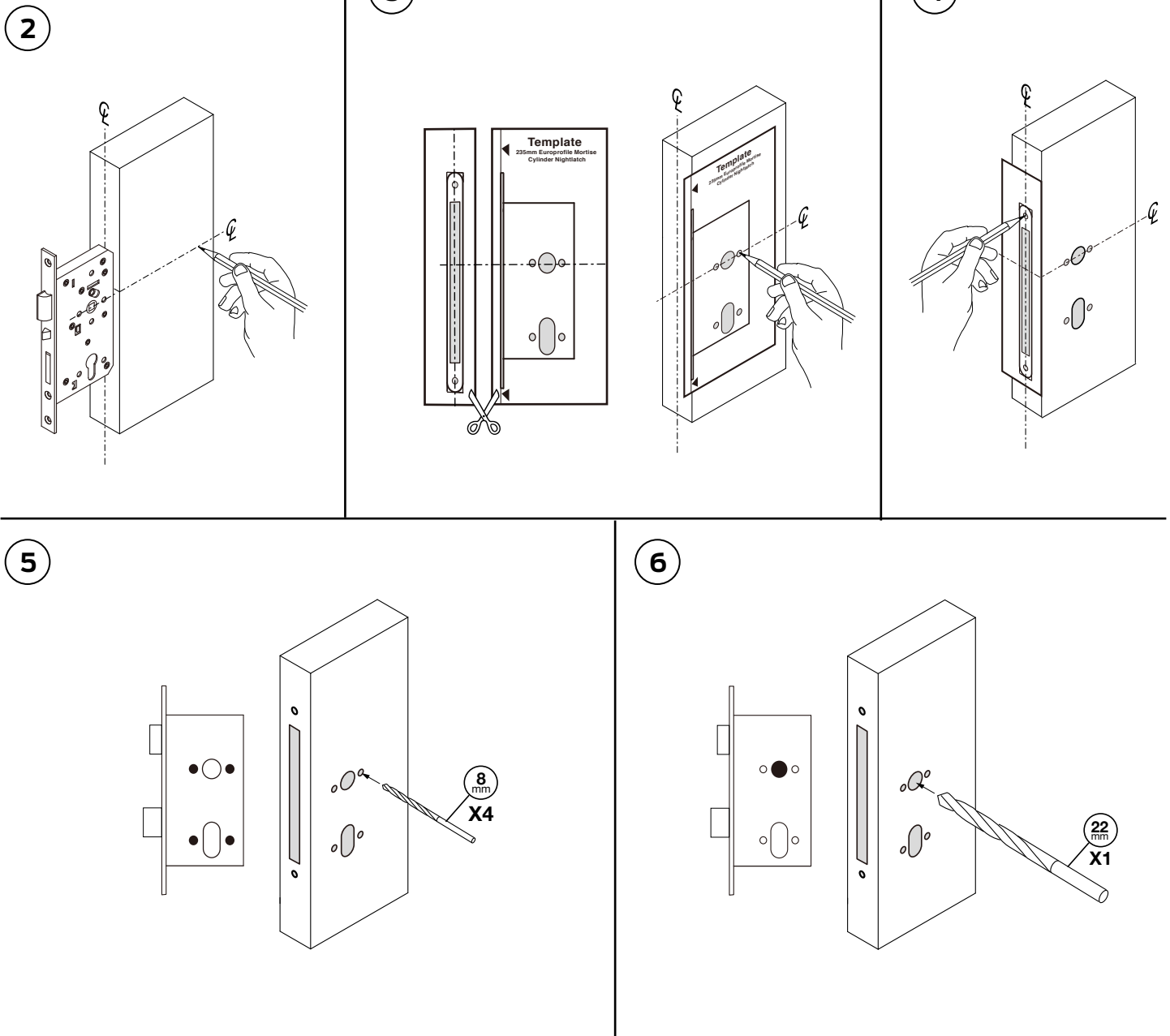
Installation Instructions – European 72mm Lock Range

5600/001/00
Rev B.

Changing Handing of Lock (if required)



Installation of Lock



Installation Instructions – European 72mm Lock Range

7

8

9

10

11

12

12a

13

IMM	MM	ITT
FD-20 - FD240	FD-20 - FD240	FD-20 - FD90*
E-20 - E240	E-20 - E240	E-20 - E90*
EI-20 - EI240	EI-20 - EI240	EI-20 - EI90*

* 90 Minutes is achieved on Mineral Core Doorsets only

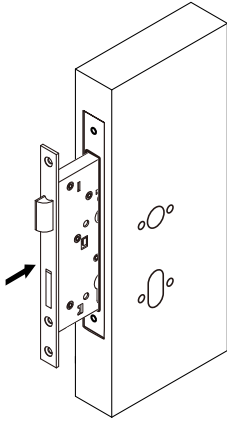
14

15

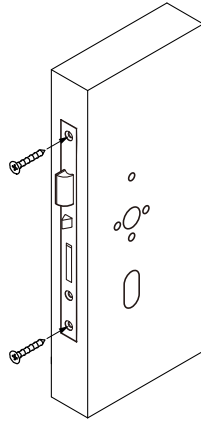
16

Installation Instructions – European 72mm Lock Range

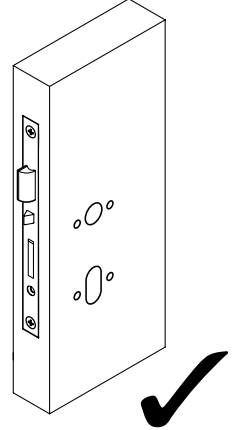
17



18

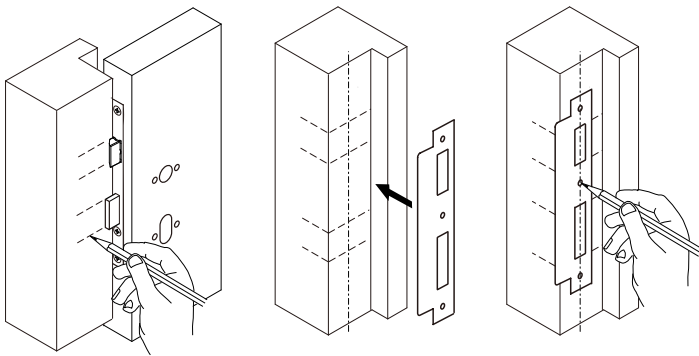


19

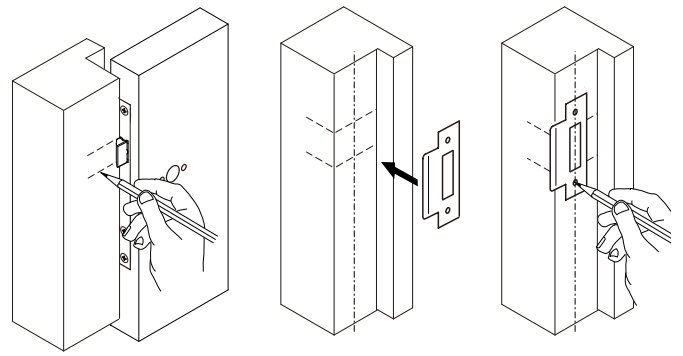


Installation of Strike

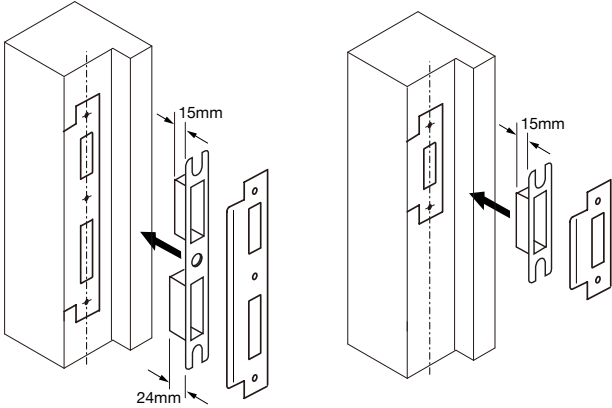
20



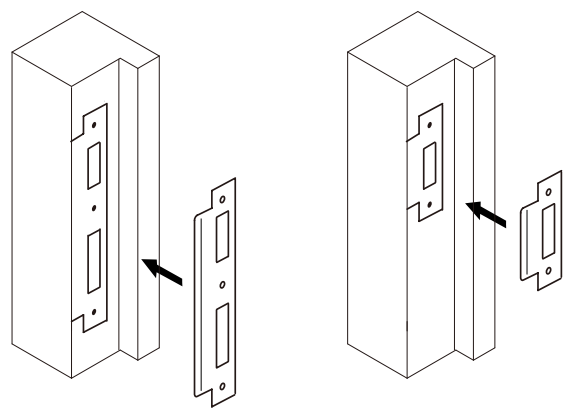
20 a



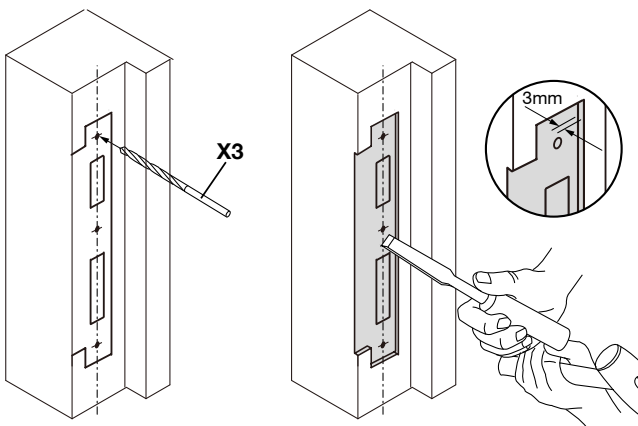
21



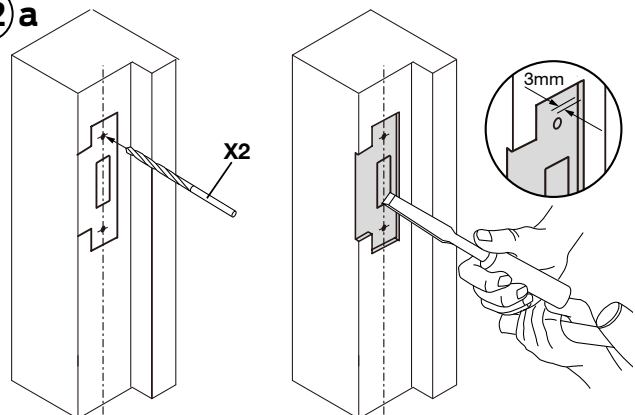
21 a



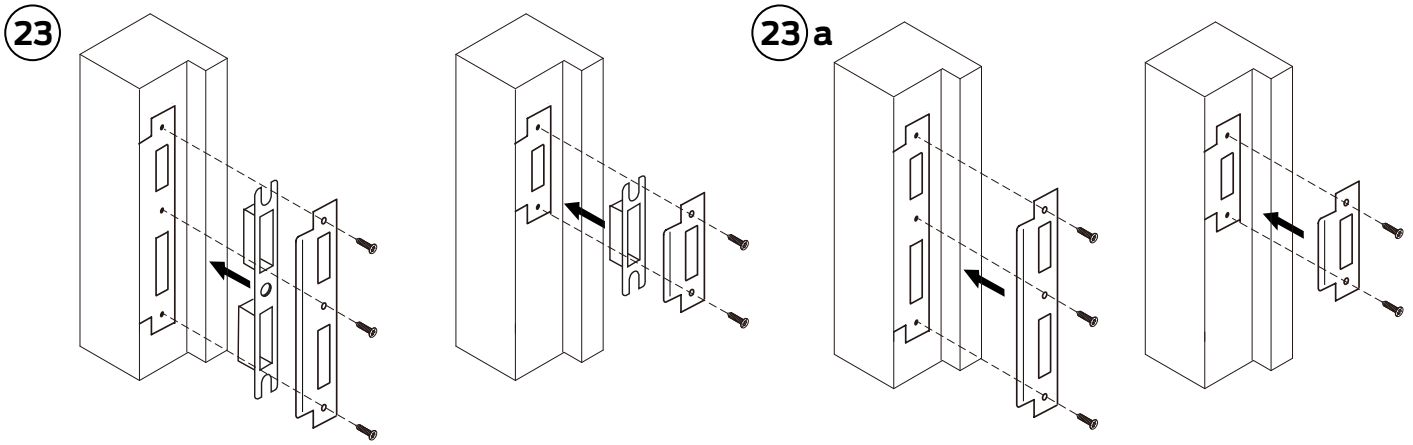
22



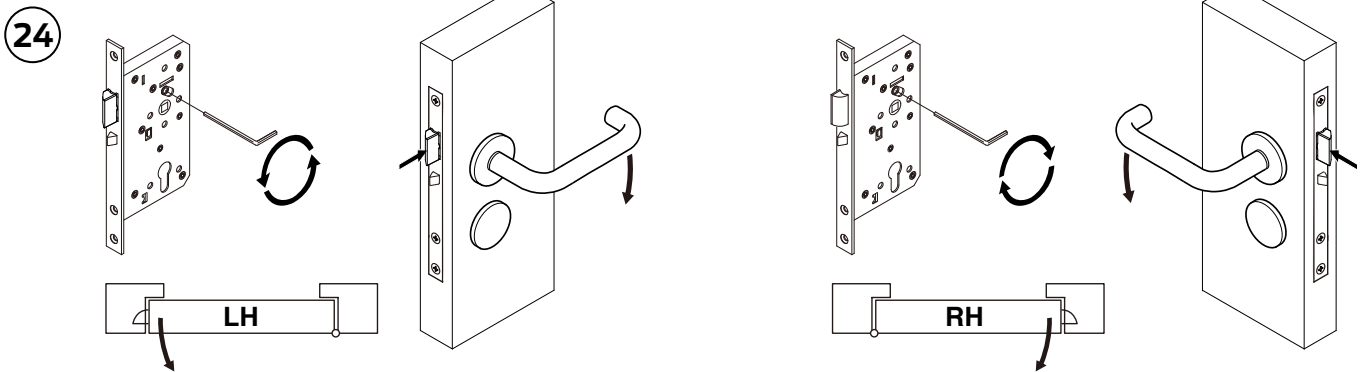
22 a



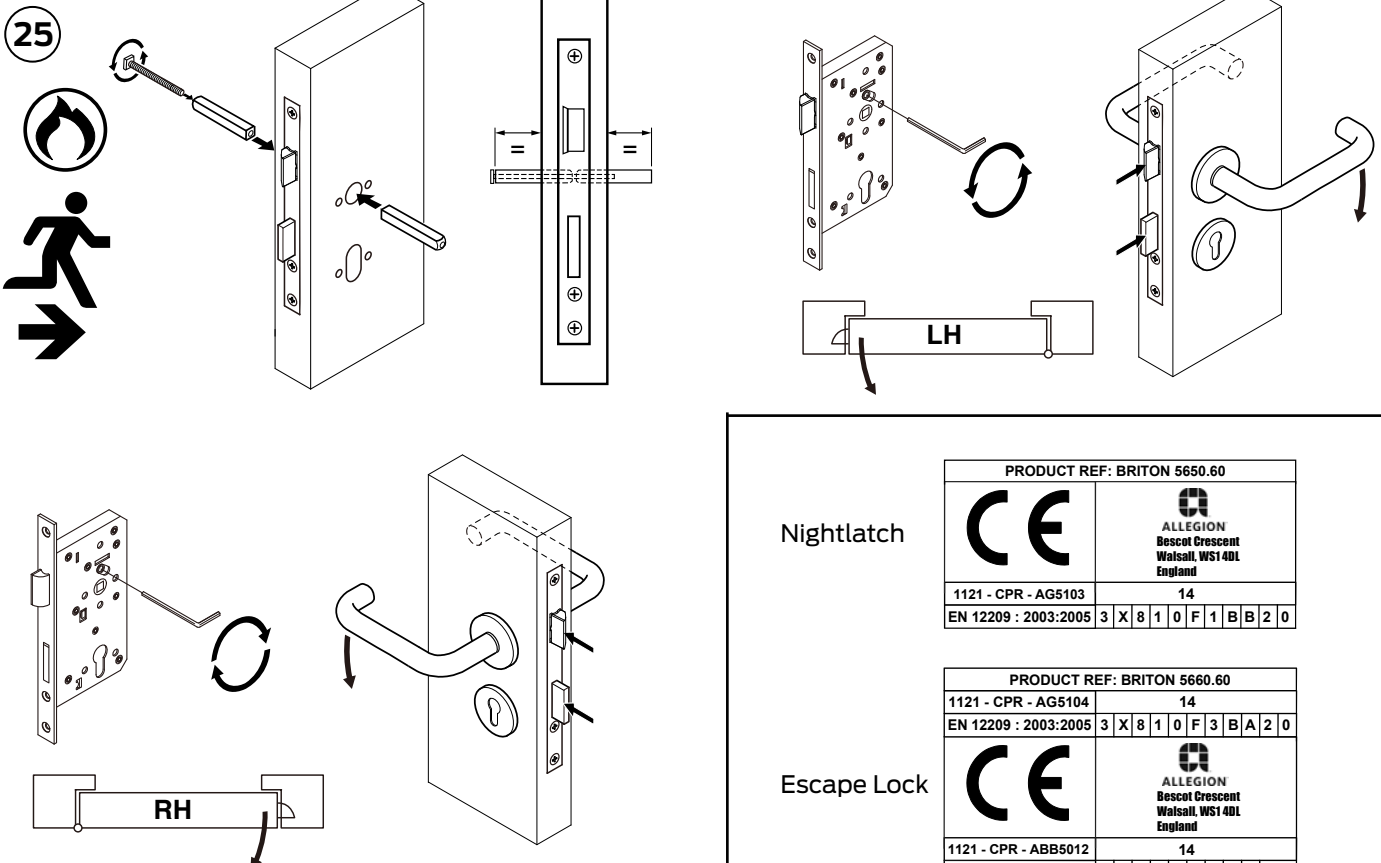
Installation Instructions – European 72mm Lock Range



Nightlatch



Escape Lock



Nightlatch	PRODUCT REF: BRITON 5650.60	
	CE	ALLEGION Bescot Crescent Walsall, WS1 4DL England
	1121 - CPR - AG5103	14
EN 12209 : 2003:2005 3 X 8 1 0 F 1 B B 2 0		

Escape Lock	PRODUCT REF: BRITON 5660.60	
	CE	ALLEGION Bescot Crescent Walsall, WS1 4DL England
	1121 - CPR - ABB5012	14
EN 179 : 2008 3 7 6 B 1 4 4 2 A B/D		